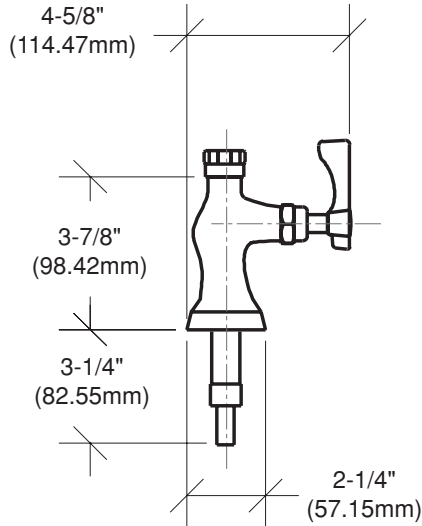


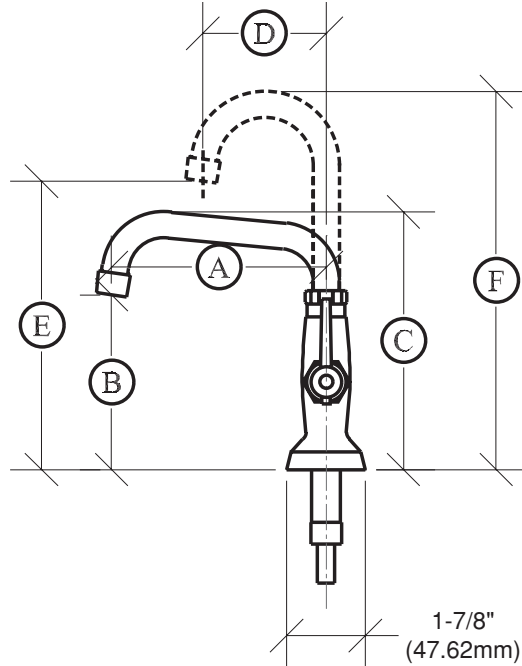
Model: _____

Item #: _____ Quantity: _____

Project: _____



Front View



Side View

MODEL NO.	A	B	C
16-200	6"	4 7/8"	7 3/8"
16-201	12"	5 7/8"	8 3/8"

Gooseneck Spouts

MODEL NO.	D	E	F
16-202	3 1/2"	8 1/4"	10 7/8"
16-203	6"	8 1/4"	12 1/4"

FEATURES:

- 1/4 TURN HIGH PERFORMANCE CERAMIC CARTRIDGE WITH BUILT IN BACK FLOW PREVENTOR
- HEAVY DUTY SOLID BRASS SPOUT WITH DOUBLE O-RING CONSTRUCTION WITH REINFORCED SHOULDER FOR DURABILITY
- HIGH PRECISION MACHINING AND POLISHED NICKEL CHROMIUM FINISH
- FULL REPLACEMENT PARTS AVAILABLE
- 1 YEAR WARRANTY

SPECS:

- SINGLE HOLE DECK MOUNT WITH 1/2" NPT MALE INLET WITH 1/4" NPT FITTING
- ROUGH IN: 7/8" ROUND HOLE
- TEMP RANGE: 40°F TO 180°F
- SHIPPING WEIGHT: 5 LBS

Approved By: _____

Due to our commitment to continued product improvement, specifications are subject to change without notice.