

Foodservice Equipment • Material Handling, Healthcare & Cleanroom Equipment • Retail Display

# SPEC-BAR-2000™ Three Compartment Sinks

Item #: \_\_\_\_\_ Qty.: \_\_\_\_\_  
Model #: \_\_\_\_\_ Project #: \_\_\_\_\_

Optional Accessories	Model #	Qty.
Speedrail		



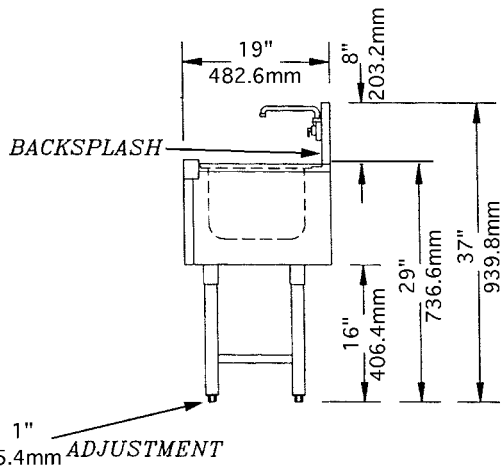
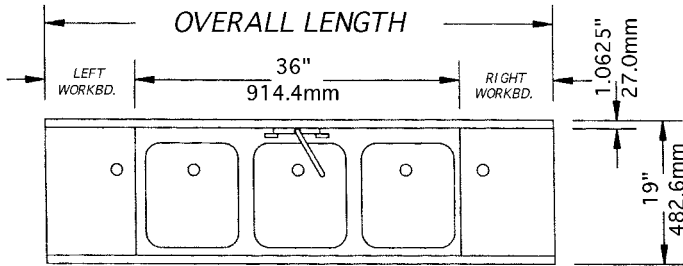
- ◆ Body, legs and crossbracing constructed of type 304 stainless steel for strength and corrosion resistance.
- ◆ Stainless steel adjustable bullet feet.
- ◆ Sink compartments are 10" by 14" by 9½" (254 mm by 356 mm by 241 mm) deep with T&S hot and cold water faucet.
- ◆ 19" (483 mm) wide models have a back-splash mounted T&S faucet.
- ◆ Stainless steel workboard on one or both sides with independent drain.
- ◆ Workboards feature removable perforated stainless steel insert.

Spec sheets available for viewing, printing or downloading from our online literature library at [www.eaglegrp.com](http://www.eaglegrp.com)

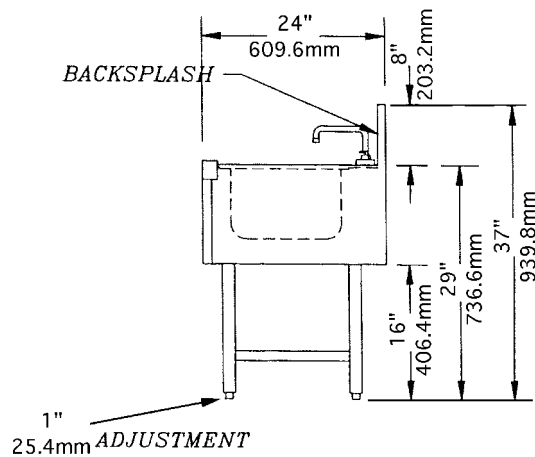
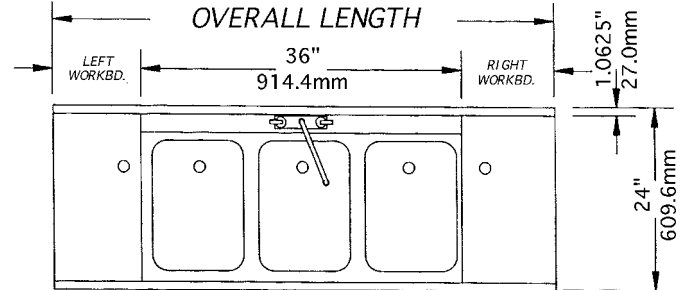
For custom configuration or fabrication needs, contact our **SpecFAB Division**.  
Phone: (302) 653-3000. FAX: (302) 653-3091.  
E-mail: [specfab@eaglegrp.com](mailto:specfab@eaglegrp.com)

## SPEC-BAR-2000™ Three Compartment Sink

19" wide (483 mm)



24" wide (610 mm)



model #	left workbd.		right workbd.		overall length		weight	
	in.	mm.	in.	mm.	in.	mm.	lbs.	kg.
B3-3-19	¾	¾	¾	¾	36	914	60	27.2
B4-3-R-19	¾	¾	12	305	48	1219	70	31.8
B4-3-L-19	12	306	¾	¾	48	1219	70	31.8
B5-3-R-19	¾	¾	24	610	60	1524	80	36.3
B5-3-LR-19	12	305	12	305	60	1524	80	36.3
B5-3-L-19	24	610	¾	¾	60	1524	80	36.3
B5.5-3-R-19	¾	¾	30	762	66	1676	85	38.6
B5.5-3-L-19	30	762	¾	¾	66	1676	85	38.6
B6-3-R-19	¾	¾	36	914	72	1829	90	40.8
B6-3-LR-19	18	457	18	457	72	1829	90	40.8
B6-3-L-19	36	914	¾	¾	72	1829	90	40.8
B7-3-LR-19	24	610	24	610	84	2134	105	47.6
B8-3-LR-19	30	762	30	762	96	2438	120	54.4

model #	left workbd.		right workbd.		overall length		weight	
	in.	mm.	in.	mm.	in.	mm.	lbs.	kg.
B3-3-24	¾	¾	¾	¾	36	914	65	29.5
B4-3-R-24	¾	¾	12	305	48	1224	75	34.0
B4-3-L-24	12	305	¾	¾	48	1224	75	34.0
B5-3-R-24	¾	¾	24	610	60	1524	85	38.6
B5-3-LR-24	12	305	12	305	60	1524	85	38.6
B5-3-L-24	24	610	¾	¾	60	1524	85	38.6
B5.5-3-R-24	¾	¾	30	762	66	1676	90	40.8
B5.5-3-L-24	30	762	¾	¾	66	1676	90	40.8
B6-3-R-24	¾	¾	36	914	72	1829	95	43.1
B6-3-LR-24	18	457	18	457	72	1829	95	43.1
B6-3-L-24	36	914	¾	¾	72	1829	95	43.1
B7-3-LR-24	24	610	24	610	84	2134	110	49.9
B8-3-LR-24	30	762	30	762	96	2438	125	56.7

- **Drains** are 1½" (38 mm) I.P.S. threaded with nut and washer.
- **Faucet on 19" wide (483 mm) models** is a backsplash mounted T&S faucet on 4" (102 mm) centers and ½" (13 mm) NPT inlet. Hot and cold water connections required.
- **Faucet on 24" wide (610 mm) models** is a deck mounted T&S faucet on 4" (102 mm) centers and ½" (13 mm) NPT inlet. Hot and cold water connections required.
- **Legs** are 1½" (41 mm) diameter type 304 stainless steel with stainless steel bullet feet.
- **Construction:** Backsplash, sides, bottom, front panel, drain pans, perforated inserts and bowls are constructed of 20 gauge stainless steel. Leg channels, legs and crossbracing are 16 gauge stainless steel.